



DC-C4212RX

Quick Guide

FCC Compliance Statement

THIS EQUIPMENT HAS BEEN TESTED AND FOUND TO COMPLY WITH THE LIMITS FOR A CLASS A DIGITAL DEVICE, PURSUANT TO PART 15 OF THE FCC RULES. THESE LIMITS ARE DESIGNED TO PROVIDE REASONABLE PROTECTION AGAINST HARMFUL INTERFERENCE WHEN THE EQUIPMENT IS OPERATED IN A COMMERCIAL ENVIRONMENT. THIS EQUIPMENT GENERATES, USES, AND CAN RADIATE RADIO FREQUENCY ENERGY AND IF NOT INSTALLED AND USED IN ACCORDANCE WITH THE INSTRUCTION MANUAL, MAY CAUSE HARMFUL INTERFERENCE TO RADIO COMMUNICATIONS. OPERATION OF THIS EQUIPMENT IN A RESIDENTIAL AREA IS LIKELY TO CAUSE HARMFUL INTERFERENCE, IN WHICH CASE USERS WILL BE REQUIRED TO CORRECT THE INTERFERENCE AT THEIR OWN EXPENSE.

WARNING: CHANGES OR MODIFICATIONS NOT EXPRESSLY APPROVED BY THE PARTY RESPONSIBLE FOR COMPLIANCE COULD VOID THE USER'S AUTHORITY TO OPERATE THE EQUIPMENT. THIS CLASS OF DIGITAL APPARATUS MEETS ALL REQUIREMENTS OF THE CANADIAN INTERFERENCE CAUSING EQUIPMENT REGULATIONS.

WEEE (Waste Electrical & Electronic Equipment)

Correct Disposal of This Product (Applicable in the European Union and other European countries with separate collection systems)



This marking shown on the product or its literature, indicates that it should not be disposed with other household wastes at the end of its working life. To prevent possible harm to the environment or human health from uncontrolled waste disposal, please separate this from other types of wastes and recycle it responsibly to promote the sustainable reuse of material resources.

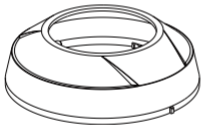
Household users should contact either the retailer where they purchased this product, or their local government office, for details of where and how they can take this item for environmentally safe recycling.

Business users should contact their supplier and check the terms and conditions of the purchase contract. This product should not be mixed with other commercial wastes for disposal.

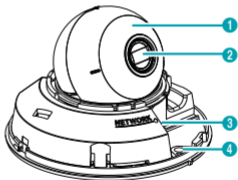
Accessories

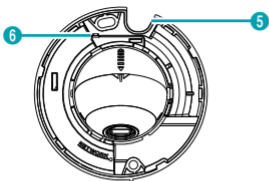
1. Network Camera
2. Quick Guide
3. Screws and Anchors (each 2ea)
4. Guide Pattern

Top Cover



Body





1 IR LED

3 Network Port

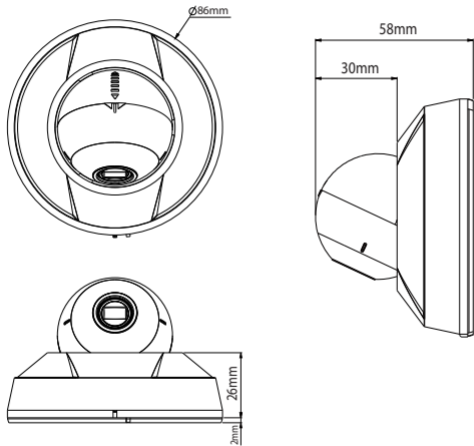
5 Cable Access Hole

2 Lens

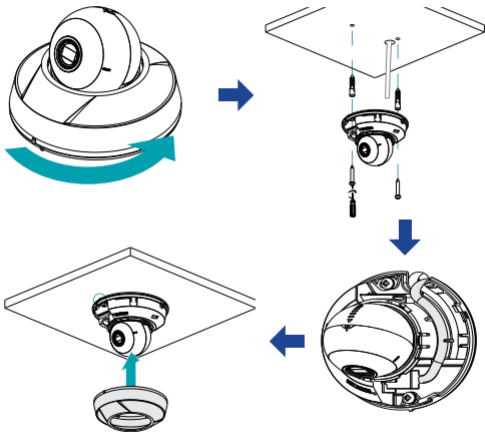
4 Wall/Ceiling Installation Hole

6 Factory Reset Button

Dimension



Camera Installation

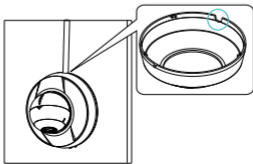




- Check the wall or ceiling to see if it needs to be reinforced. The camera may fall off if the wall or ceiling is not strong enough to support its weight.
- Install the camera in a shaded area. If the camera is installed in direct sunlight, it may be affected adversely.

1. Turn the top cover counterclockwise.
2. Use the screws, anchors provided with the camera to secure the body on a wall or a ceiling.
3. Connect the network cable like the following picture.
4. Attach the top cover to the bottom cover. Turn the top cover clockwise to fasten it.

*If the network cable comes out as shown below, use a nipper to cut out the cable access hole in the top cover.



5. Adjust the angle.

Specifications

Supported Resolution	1920x1080, 1280x720, 704x480, 640x360, 352x240
Image Sensor	1/2.8" CMOS
Lens	2.8mm Fixed-focal lens
Video Compression	H.265, H.264 Main Profile, M-JPEG
Power Source	PoE
Power Consumption	PoE, IEEE 802.3af(Class1), 3.3W

※ Please download software (IDIS Discovery, IDIS Center, IDIS Solution Suite Compact) and product manual from this link :

- IDIS Website (www.idisglobal.com)



IDIS Co., Ltd.

For more information, please visit
www.idisglobal.com